

NOTES

Optional construction joints labeled "CJ" may be roughened concrete, keyed or dowelled as per the typical details shown herein or as approved by the Engineer. Non shrink grout meeting the requirements of subsection 715.5 of the specifications may be used to a depth of 1/2" for leveling between precast sections. Thicker depths will be allowed if as per the manufacturer's recommendations.

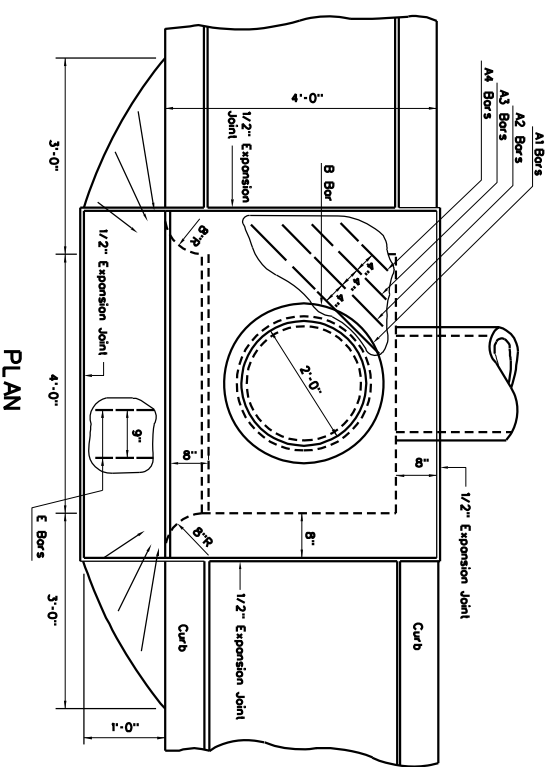
The covering for reinforcing steel shall be two inches measured from the top of the concrete. The steel shall be covered with other-wise shown reinforcing steel shall be epoxy coated and meet the requirements of section 602 of the specifications.

This inlet shall not be placed in a pedestrian cross walk.

Construction may be cast-in-place, precast in one or multiple sections, or any combination of cast-in-place and precast.

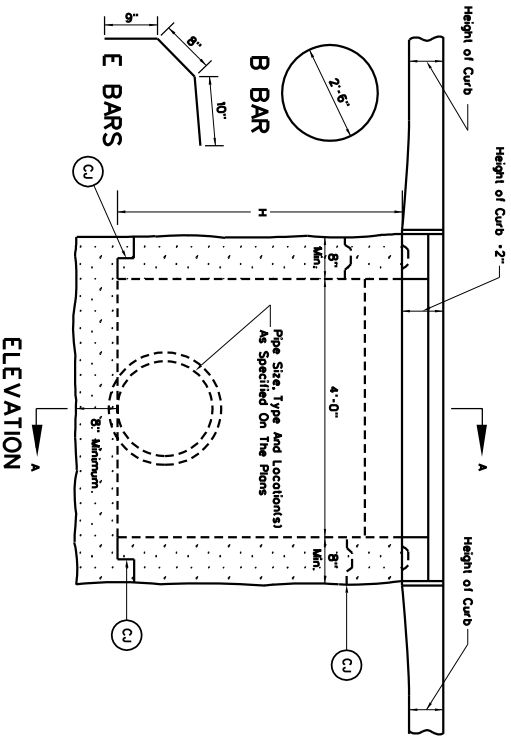
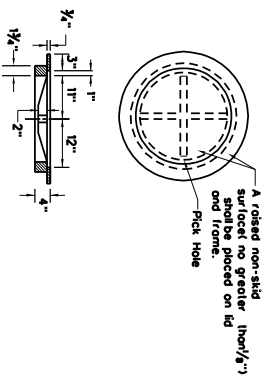
The minimum distance from the top of any pipe opening to any construction joint above the opening shall be four (4) inches.

The number and location of pipe openings shall be as shown in the plans. The contractor at no additional cost, shall be responsible for any temporary bracing required to transport precast inlet sections due to multiple openings.

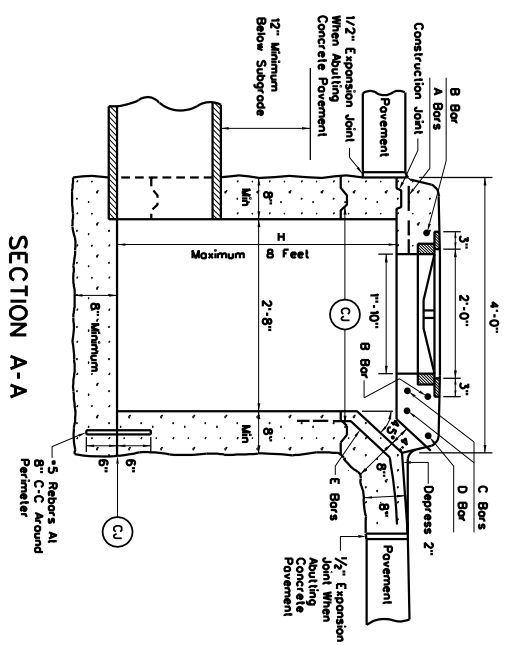


PLAN

DETAIL OF FRAME AND COVER CASTING (RING TYPE)

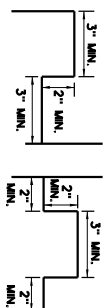


ELEVATION



SECTION A-A

CONSTRUCTION JOINT DETAILS



| Mark | Size | No. | Length | Weight |
|------|------|-------|--------|---------|
| A1 | +5 | 2 | 3'-11" | 8 lbs. |
| A2 | +5 | 2 | 3'-3" | 7 |
| A3 | +5 | 2 | 2'-3" | 5 |
| A4 | +5 | 2 | 2'-11" | 7 |
| B | +5 | 1 | 8'-0" | 8 |
| C | +8 | 2 | 5'-0" | 27 |
| D | +5 | 1 | 5'-0" | 5 |
| E | +5 | 6 | 2'-3" | 14 |
| | | TOTAL | | 80 lbs. |

TYPE D INLET

WEST VIRGINIA DEPARTMENT OF TRANSPORTATION
DIVISION OF HIGHWAYS
STANDARD DETAIL

REVISION DATE

REVISION DATE

REVISION DATE

REVISION DATE

REVISION DATE

STANDARD SHEET DR6-D